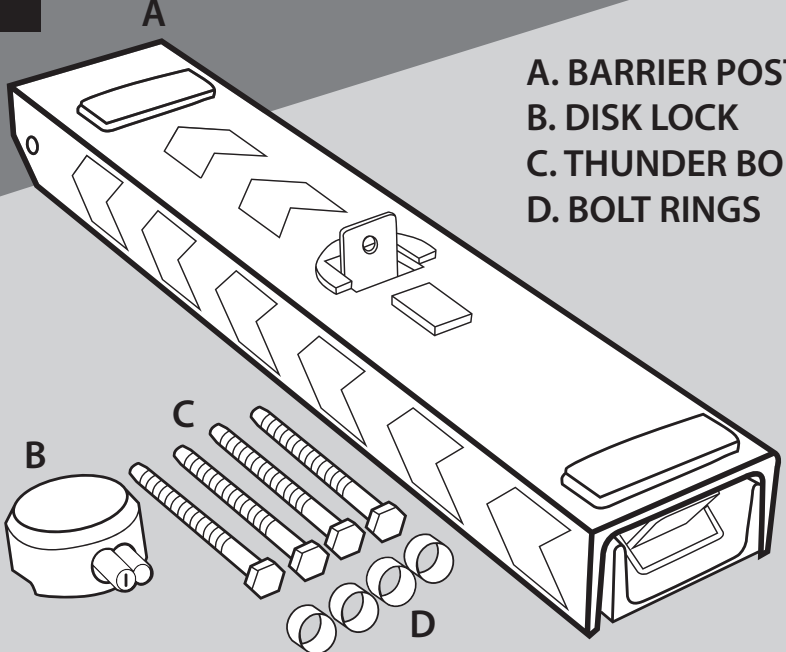




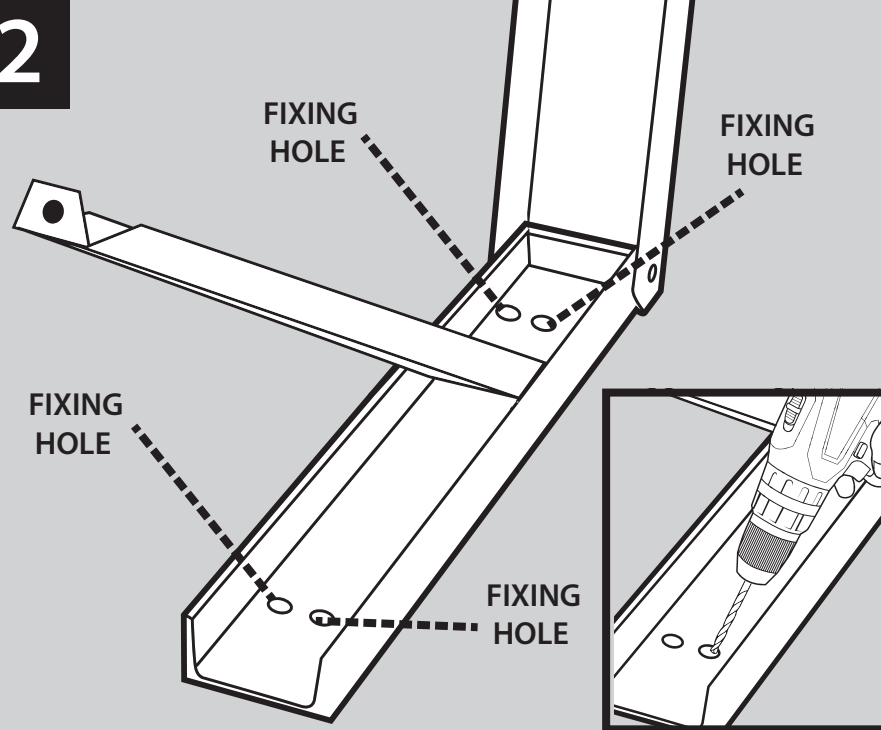
1



A. BARRIER POST
B. DISK LOCK
C. THUNDER BOLTS
D. BOLT RINGS

POSITION DEVICE WHERE REQUIRED

2



FIXING HOLE

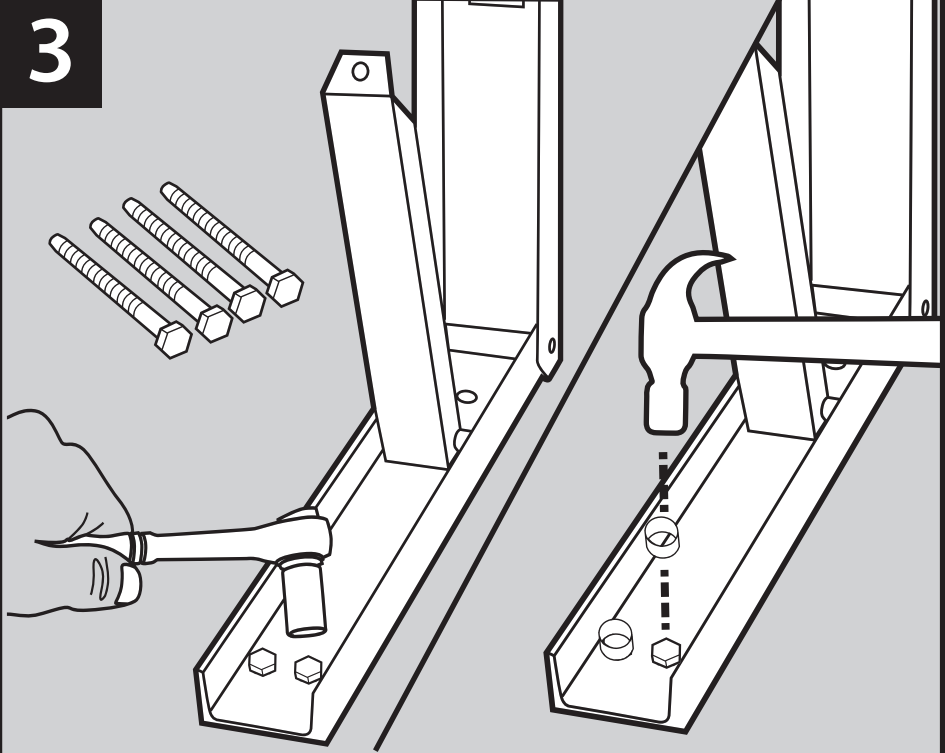
FIXING HOLE

FIXING HOLE

FIXING HOLE

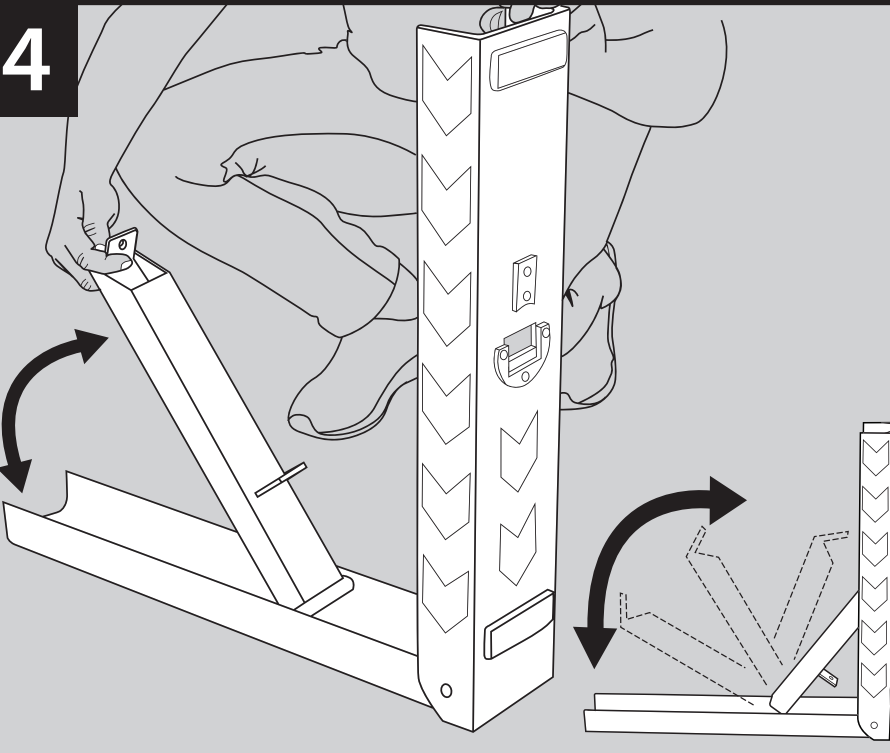
MARK OUT DRILL HOLES x4 AND THEN DRILL HOLES

3



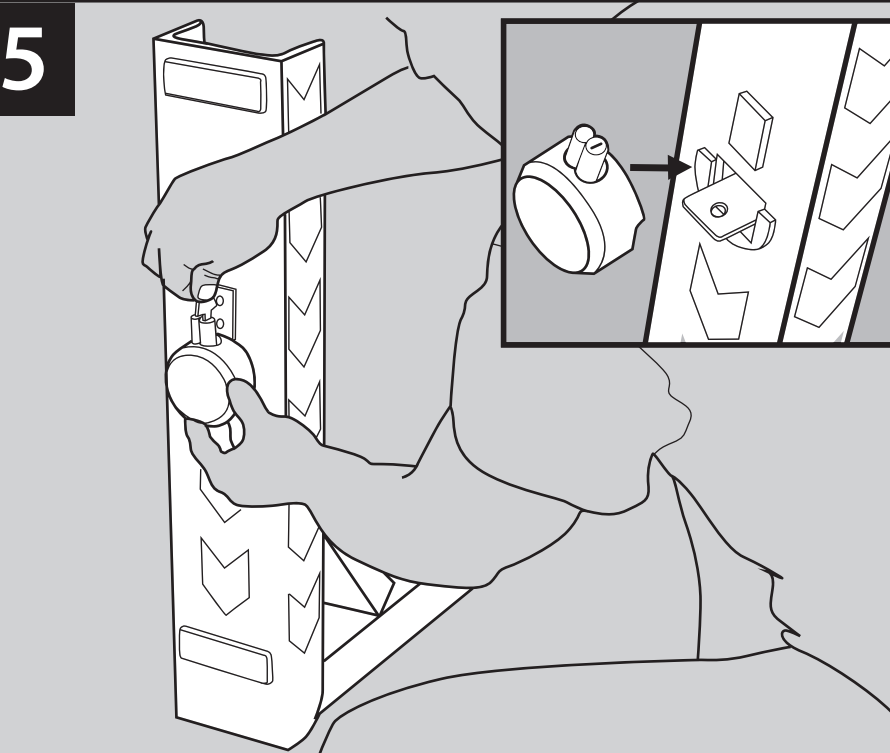
SECURE TO THE FLOOR WITH THUNDER BOLTS . THEN
TAP BOLT RINGS OVER BOLT HEADS WITH HAMMER

4



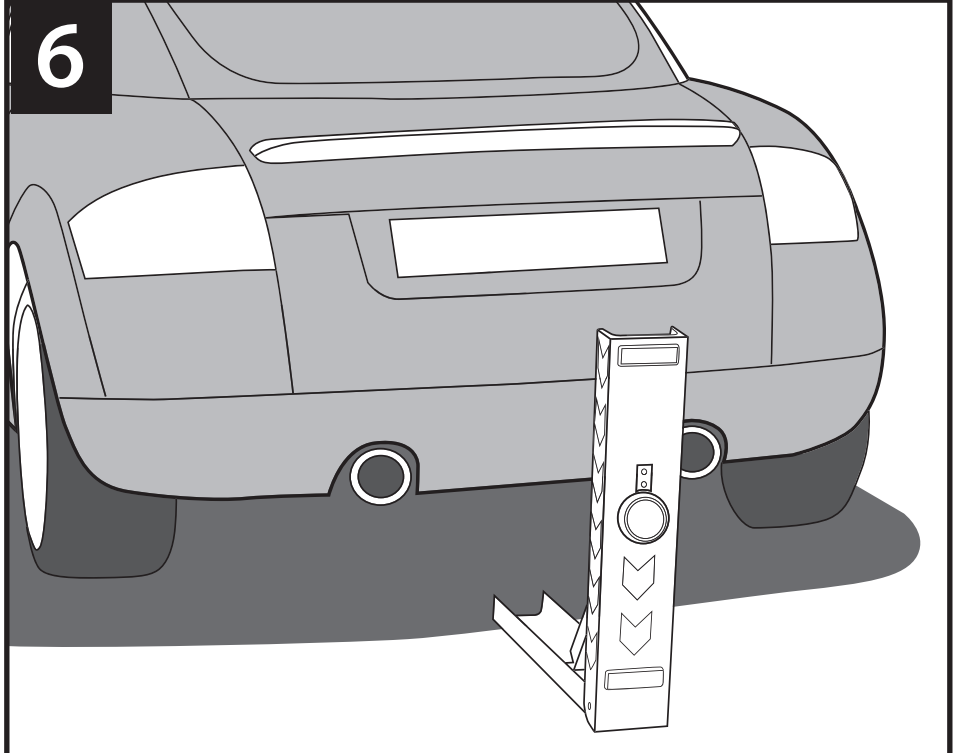
LIFT PLATE INTO UPRIGHT POSITION & PUSH ARM INTO
SLOT WHEN IN ERECT POSITION

5



PLACE DISK LOCK ON AND TURN KEY TO RETAIN

6



YOUR DEVICE IS NOW OPERATIONAL