

INSTALLATION & OPERATIONAL INSTRUCTIONS

PRODUCT CODE: PB-1 DAY & NIGHT ASSET RETAINER

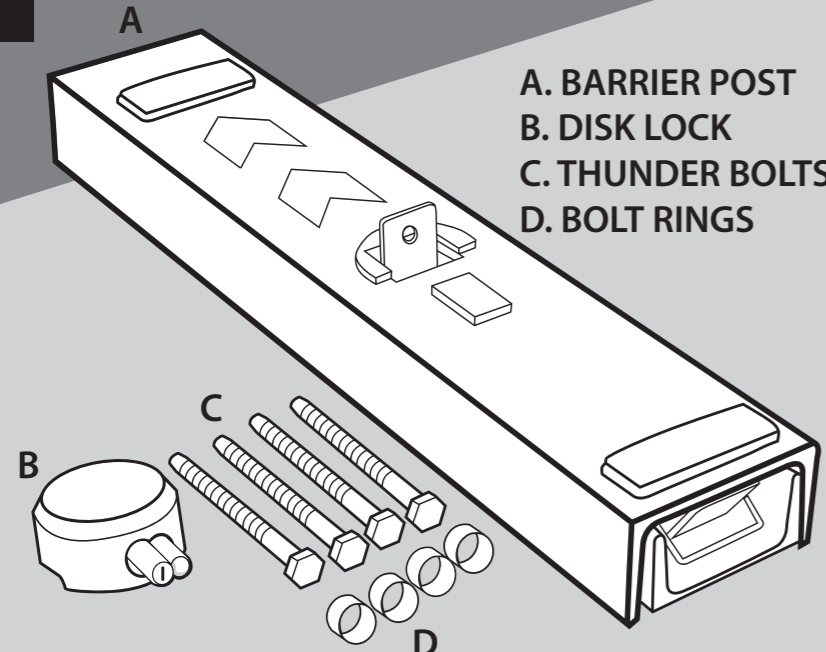
TOOLS REQUIRED: DRILL. 19MM SOCKET OR SPANNER . HAMMER
10MM MASONRY DRILL BIT . SAFETY GOGGLES

PRIOR TO INSTALLATION CHECK
PLUMBING & ELECTRICAL WIRING



WWW.SECURIAN.STORE

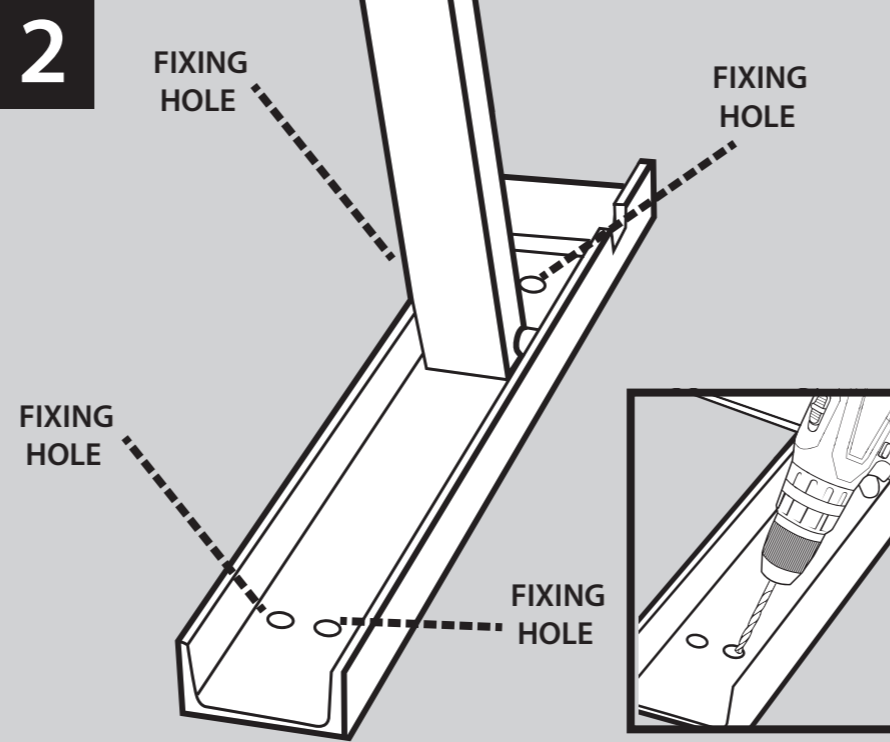
1



A. BARRIER POST
B. DISK LOCK
C. THUNDER BOLTS
D. BOLT RINGS

POSITION DEVICE WHERE REQUIRED

2



FIXING HOLE

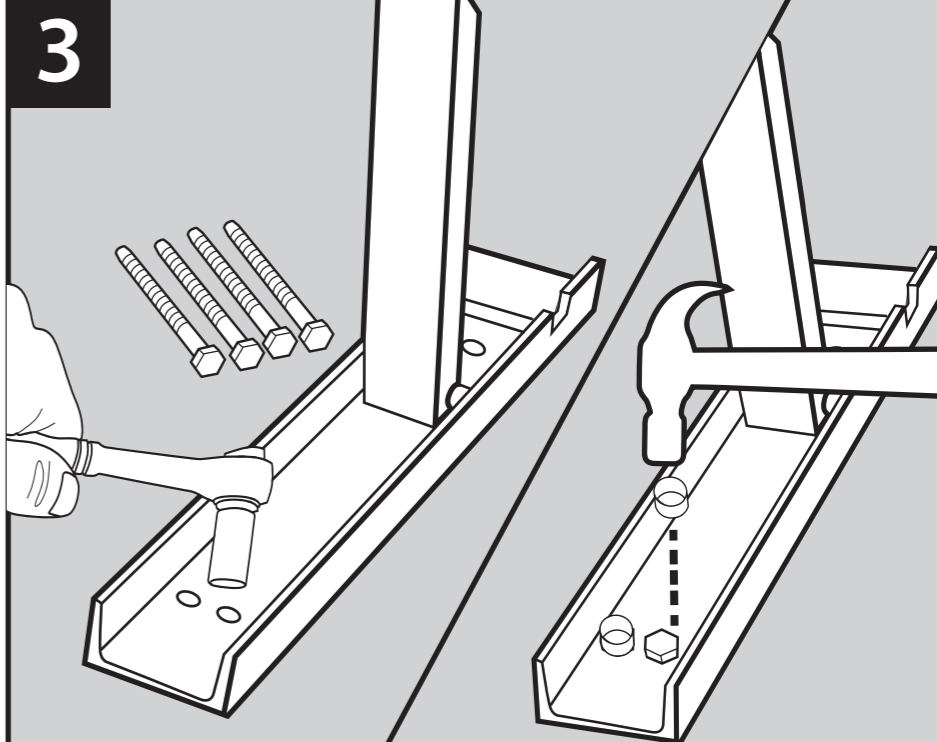
FIXING HOLE

FIXING HOLE

FIXING HOLE

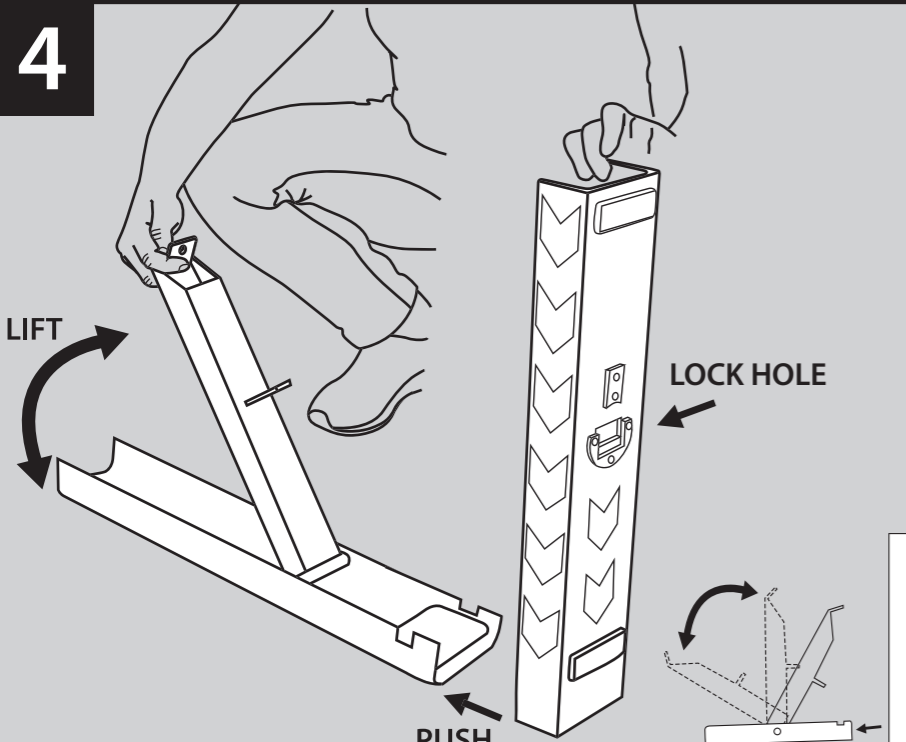
MARK OUT DRILL HOLES x4 AND THEN DRILL HOLES

3



SECURE TO THE FLOOR WITH THUNDER BOLTS . THEN
TAP BOLT RINGS OVER BOLT HEADS WITH HAMMER

4




LIFT

PUSH

LOCK HOLE

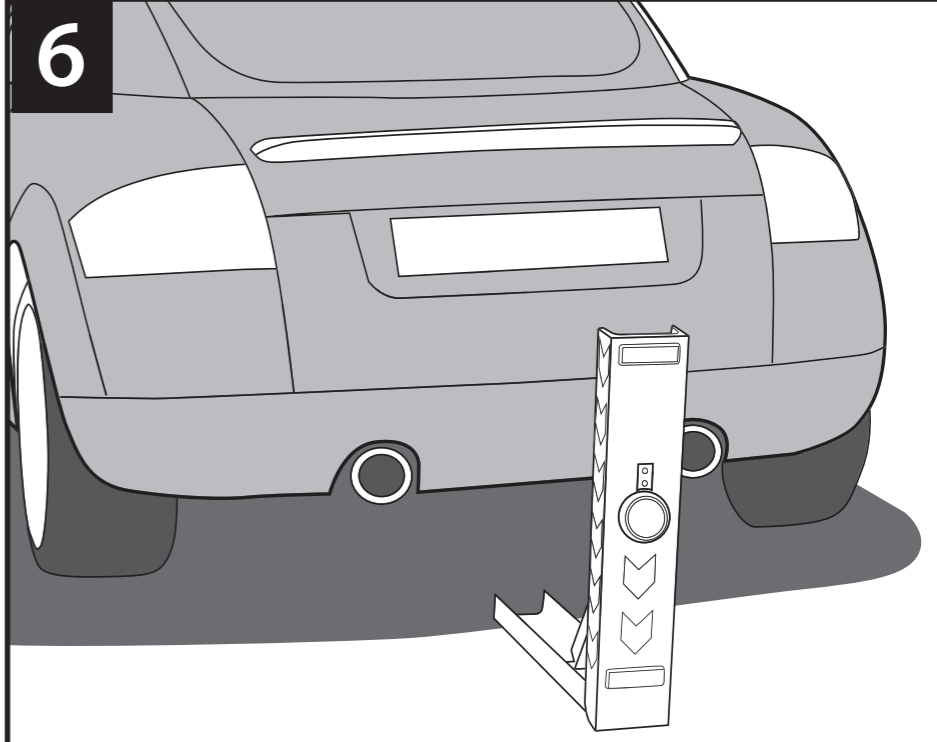
LIFT ARM INTO UPRIGHT POSITION & PUSH BODY ON TO
BASE. SECURE ARM IN TO LOCK HOLE

5



PLACE DISK LOCK ON AND TURN KEY TO RETAIN

6



YOUR DEVICE IS NOW OPERATIONAL