

INSTALLATION & OPERATIONAL INSTRUCTIONS

PRODUCT CODE: MX-4 DAY & NIGHT DOOR JAMMER

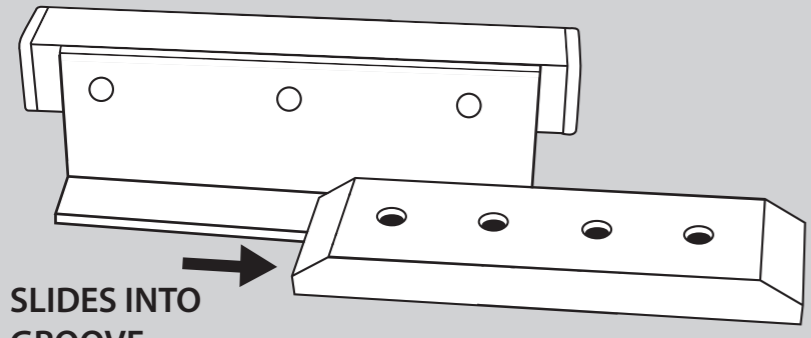
TOOLS REQUIRED: DRILL. LARGE CROSS HEAD SCREW DRIVER . 3MM DRILL BIT FOR WOOD /10MM FOR CONCRETE OR CERAMIC . SAFETY GOGGLES

PRIOR TO INSTALLATION CHECK PLUMBING & ELECTRICAL WIRING



WWW.SECURIAN.STORE

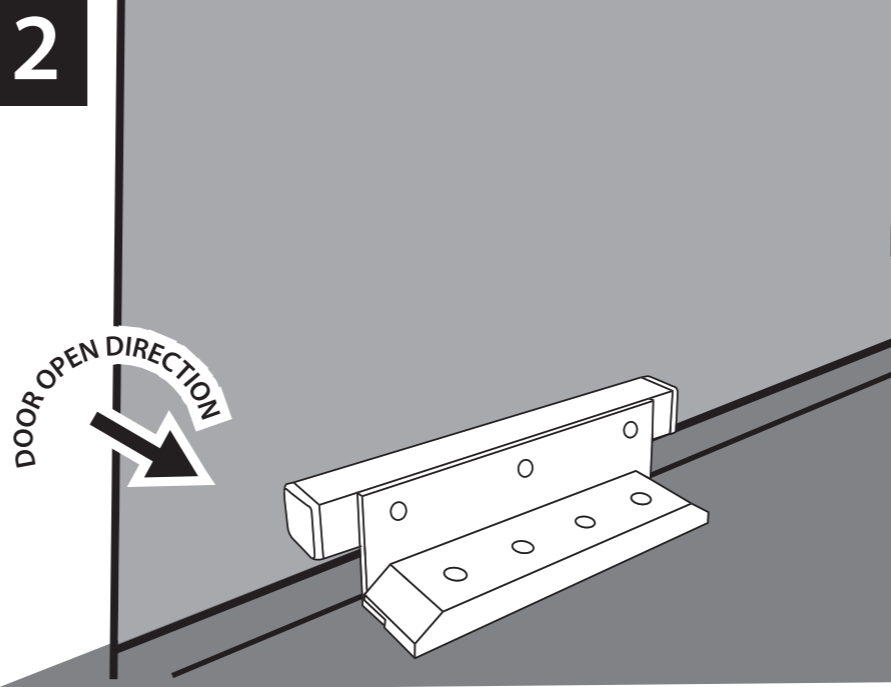
1



SLIDES INTO GROOVE

IMAGE SHOWS HOW THE PRODUCT JOINS TOGETHER WHEN IN USE.

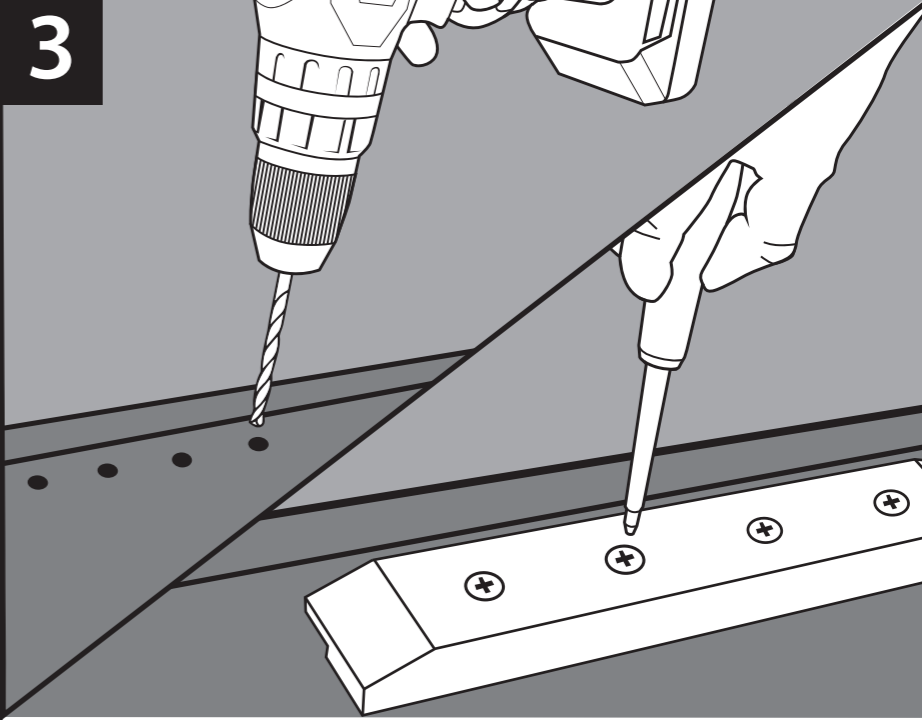
2



DOOR OPEN DIRECTION

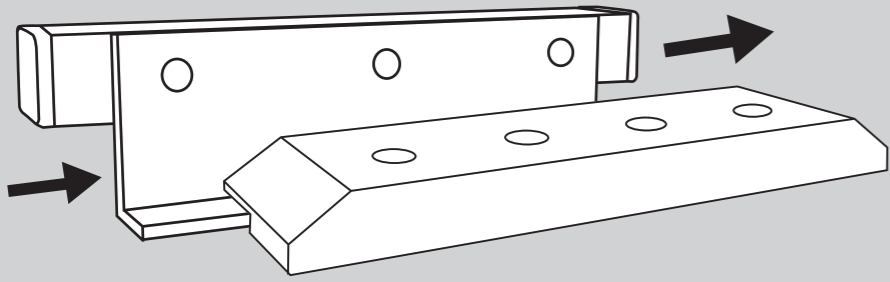
ASSEMBLE MX-4 AS IT WOULD BE ARMED IN IT'S REQUIRED POSITION (LEAVE 3MM BETWEEN DOOR & DEVICE) THEN MARK THE DRILL HOLES REQUIRED.

3



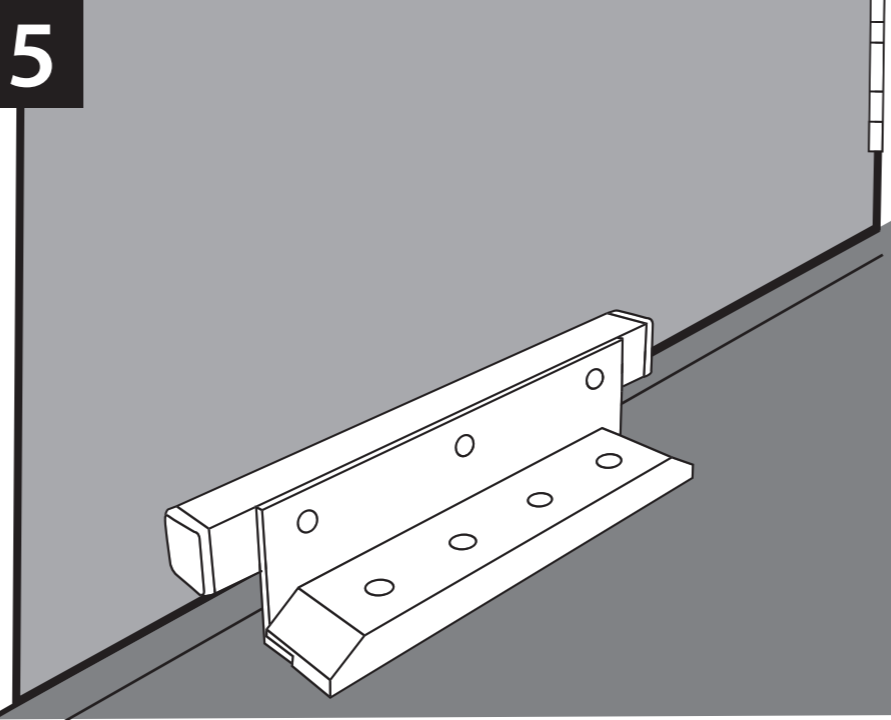
DRILL 3MM HOLES (WOOD) 10MM (CONCRETE/CERAMICS) AND SCREW DOWN INTO POSITION (USE SUPPLIED FIXINGS IF REQUIRED).

4



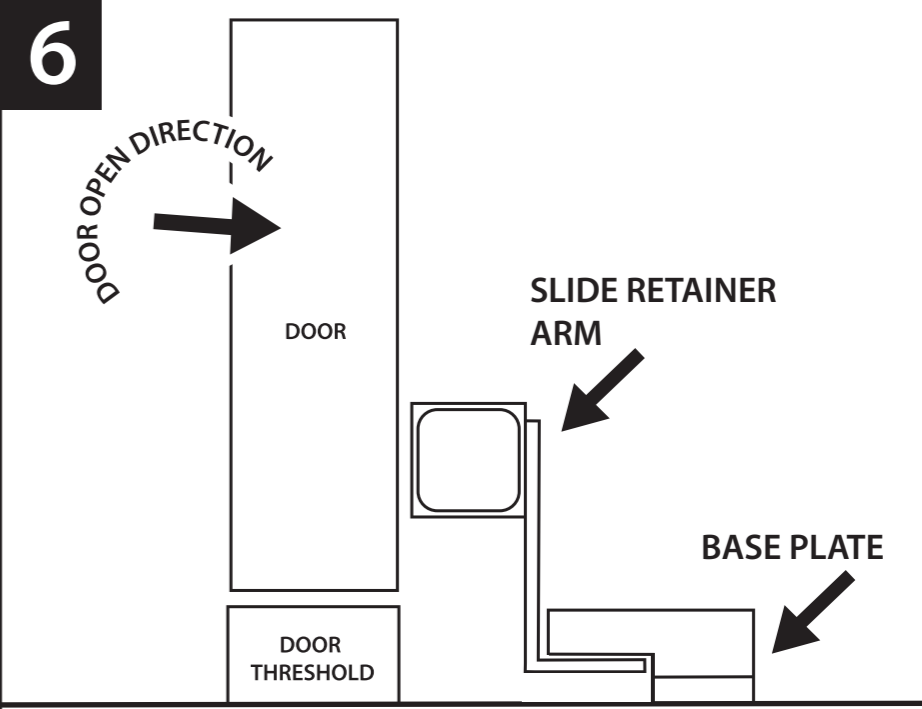
SLIDE RETAINER ARM INTO POSITION.

5



DEVICE IS NOW IN ITS ACTIVE SETTING PREVENTING ENTRY.

6



DOOR OPEN DIRECTION

DOOR

DOOR THRESHOLD

SLIDE RETAINER ARM

BASE PLATE

SIDE ELEVATION OF PRODUCT IN ACTIVE SETTING.