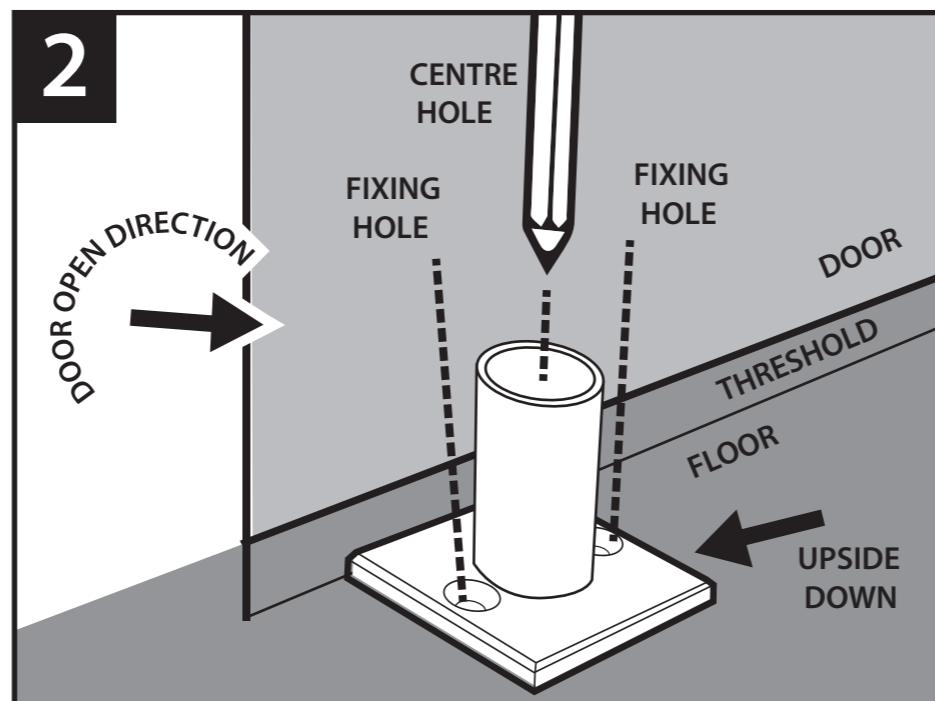
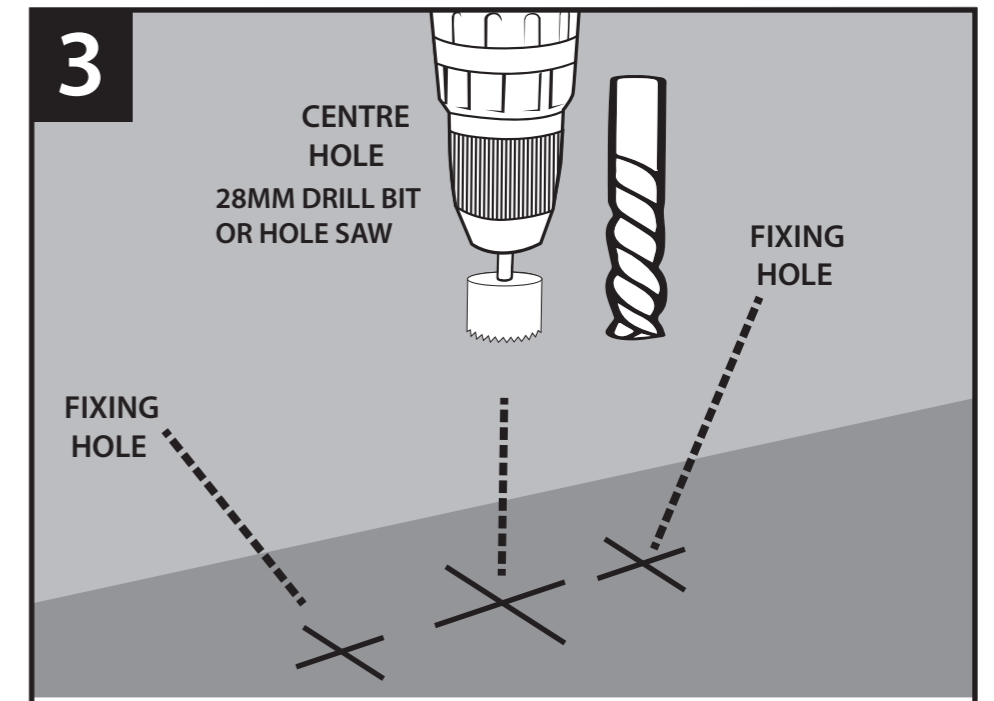


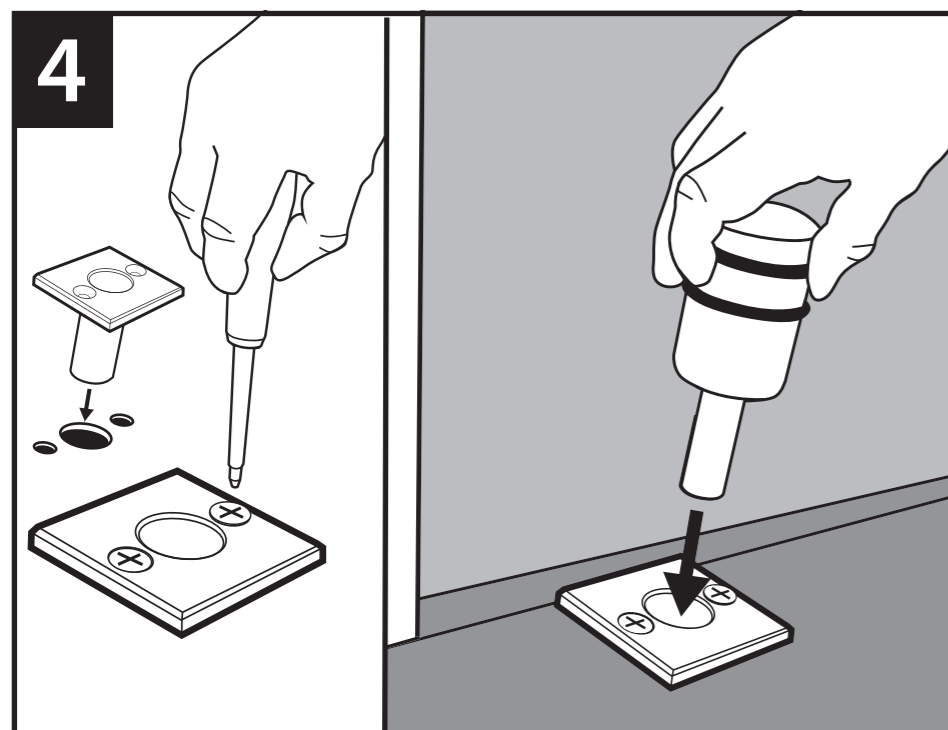
1 PLACE BASE PLATE UPSIDE DOWN IN POSITION AND ENSURE DOOR CLEARS BASE PLATE.



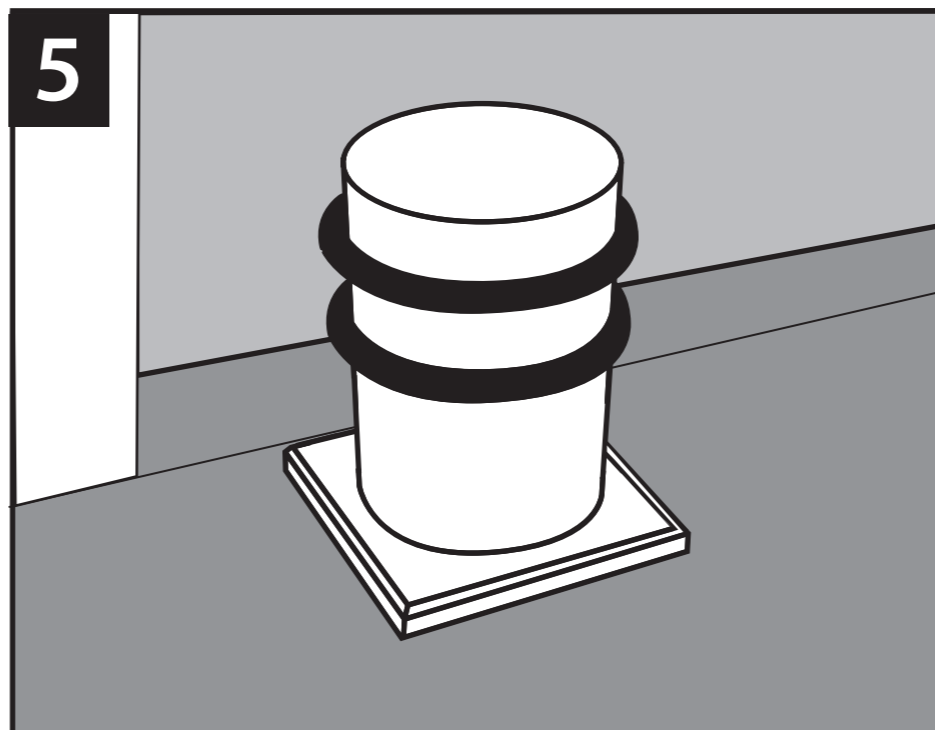
2 PLACE BASE PLATE UPSIDE DOWN IN POSITION THEN MARK DRILL HOLES



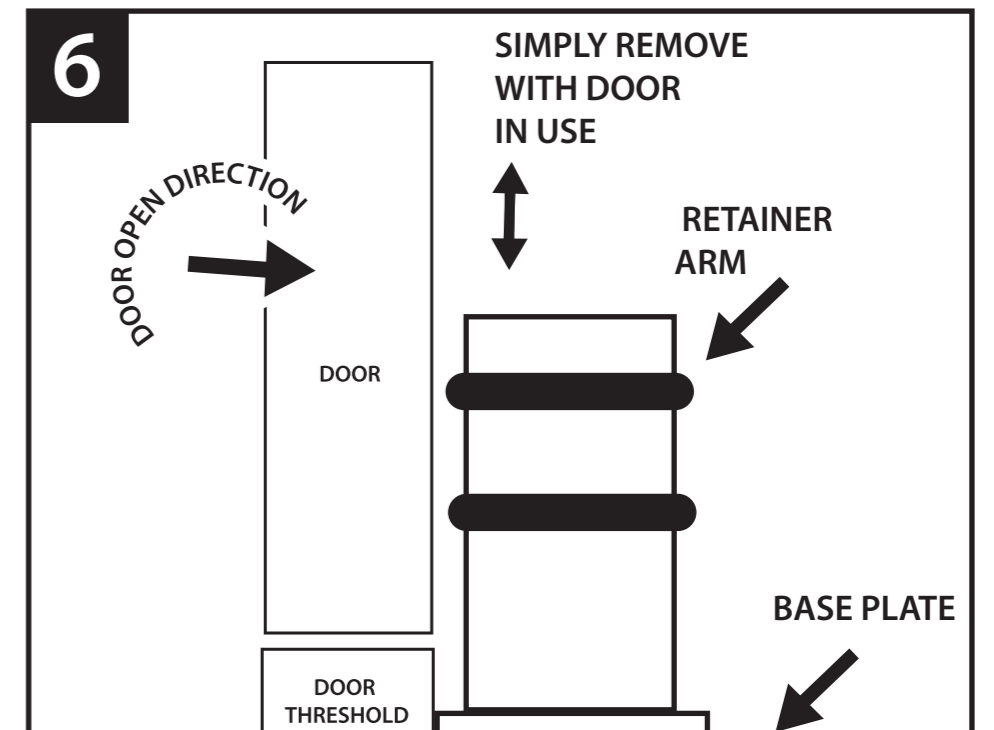
3 DRILL CENTRAL HOLE WITH A 28MM DRILL BIT OR HOLE SAW DEPENDING ON SURFACE. THEN DRILL FIXING HOLES 3MM DRILL BIT FOR WOOD /10MM FOR CONCRETE OR CERAMIC



4 SCREW BASE PLATE TO FLOOR & SLOT MX-2 INTO CENTRE HOLE



5 DOOR IS NOW RETAINED



6 SIDE ELEVATION OF PRODUCT IN ACTIVE SETTING